

ARP-3811AP-E01-003

Panel Mount Thin Client Panel PC with 10.1 inch PCAP Touch Screen

Features

- 10.1" LCD, 1280 x 800 Resolution
- Projected Capacitive Touch Screen
- Aluminum or Stainless-Steel Flush Bezel
- Intel Celeron J1900 @ 1.99GHz / Atom E3845 @ 1.91GHz CPU
- 4GB DDR3 SO-DIMM
- Dual Gigabit Ethernet
- 4 x RS-232/422/485 BIOS Selectable
- 1 x USB 3.0, 3 x USB 2.0 ports

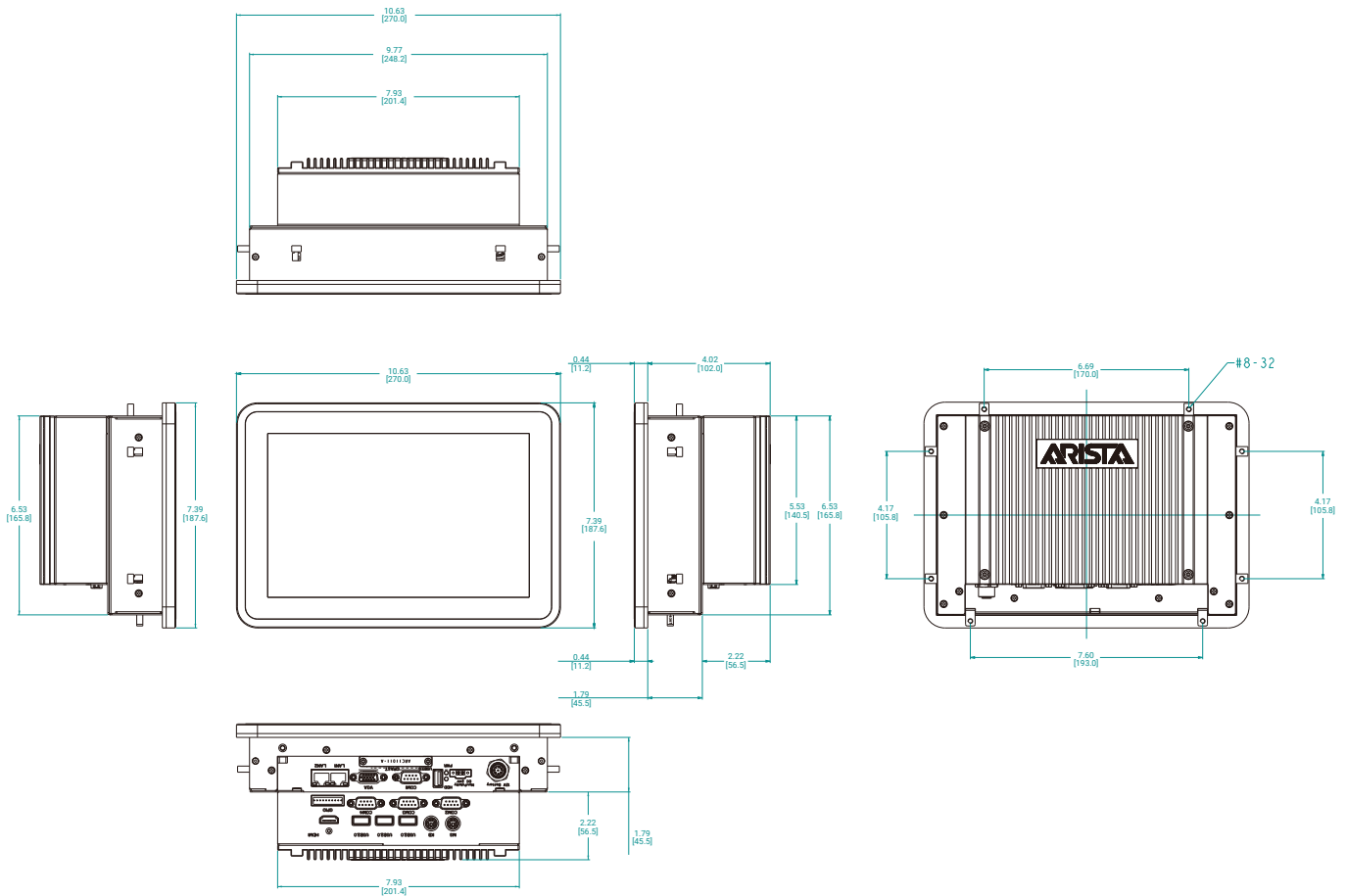
Specifications

| Model Name | ARP-3811AP-E01-003 |
|------------------------------------|--|
| LCD Display | |
| Display Size (Diagonal) | 10.1 inch |
| Resolution | 1280 x 800 |
| Backlight Lifetime (Hours) | 50,000 hours |
| Visual Characteristics | |
| Colors | 16.2 million |
| Aspect Ratio | 16:10 |
| Viewing Angle (V/H) | 170° / 170° |
| Contrast Ratio | 1300:1 |
| Brightness | 500 nits (Typical) |
| Touchscreen | |
| Technology | Projected Capacitive |
| Interface | USB |
| Driver | ThinManager Supported Driver |
| Front Bezel | |
| NEMA 4 | Aluminum |
| NEMA 4x | Stainless Steel (Optional) |
| System | |
| CPU | Intel Celeron J1900 @ 1.99GHz / Atom E3845 @ 1.91GHz CPU |
| Chipset | Bay Trail |
| Memory | 4GB DDR3 SO-DIMM |
| Video Controller | Intel Gen7 Intel Graphics DX 11, OGL3.2 |
| External Video Output | VGA, HDMI |
| Storage Option | N/A |
| Compact Flash | N/A |
| Keyboard / Mouse | USB / PS2 |
| Audio | N/A |
| Watchdog Timer | Programmable 1 - 255 sec |
| Remote Boot | ThinManager Ready, PXE |
| Expansion Slot | Mini PCIe x 2 |
| I/O Communication | |
| USB Port | 1 x USB 3.0, 3 x USB 2.0 |
| Serial Port | 4 x RS-232/422/485 BIOS Selectable |
| IEEE 1394 | N/A |
| LAN | 2 x Gigabit |
| Parallel | N/A |
| GPIO | N/A |
| Smart Battery | |
| External Smart Battery | Optional |
| OS Support | |
| OS Support | N/A |
| Power/Thermal Specs | |
| Power Requirement (Max) | 24VDC / 0.75A |
| Power Consumption (Max) | 18 W |
| Recommended Power Supply | 26 W |
| Heat Dissipation | 62 BTU/hr |
| Physical Information | |
| Mounting | Panel mount |
| Net Weight | 12 Lbs / 5.44 Kg |
| Dimension (W x H x D) | -- |
| Recommended Cutout Dimension (WxH) | -- |
| Environmental | |
| Operating Temperature | 0~50°C (32~122°F) |
| Storage Temperature | -20~60°C (-4~140°F) |
| Relative Humidity | 0~95% |
| IP/NEMA Rating | Bezel meets NEMA 4/4X requirement |
| Certification | N/A |

Dimension Drawing

Model Name: ARP-3811AP-E01

Size Unit: inch(mm)



Ordering Information

| Item | ARP-3811AP-E01-003 | ARP-3811AP-E01-007 |
|--------------|--|--|
| LCD Display | 10.1" LCD / 1280 x 800 | 10.1" LCD / 1280 x 800 |
| Touch Screen | Projected Capacitive | Projected Capacitive |
| Bezel | Aluminum | Stainless Steel |
| CPU | Intel Celeron J1900 @ 1.99GHz / Atom E3845 @ 1.91GHz CPU | Intel Celeron J1900 @ 1.99GHz / Atom E3845 @ 1.91GHz CPU |
| Memory | 4GB DDR3 | 4GB DDR3 |
| Storage | N/A | N/A |
| Remote Boot | ThinManager Ready | ThinManager Ready |
| Power Supply | 110/220VAC Input DIN-Rail | 110/220VAC Input DIN-Rail |